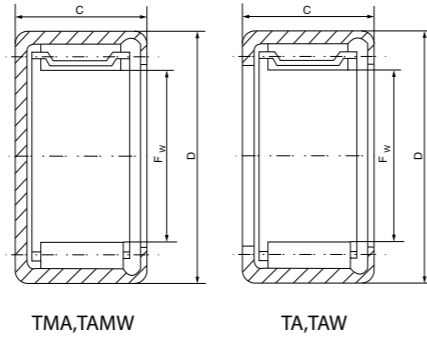


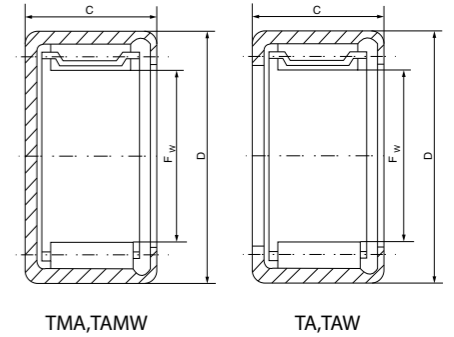
穿孔型冲压外圈滚针轴承
Drawn Cup Caged Needle Roller Bearings
With Open End
TA, TAW 系列

封口型冲压外圈滚针轴承
Drawn Cup Caged Needle Roller Bearings
With Closed End
TAM, TAMW 系列



穿孔型冲压外圈滚针轴承
Drawn Cup Caged Needle Roller Bearings
With Open End
TA, TAW 系列

封口型冲压外圈滚针轴承
Drawn Cup Caged Needle Roller Bearings
With Closed End
TAM, TAMW 系列

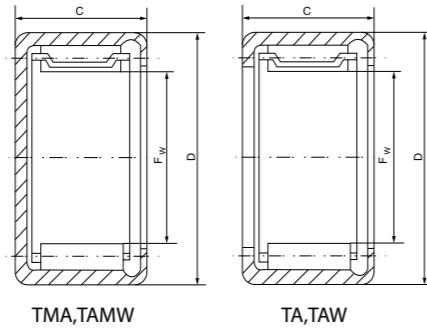


| 轴径 Shaft Diameter | 轴承型号 Bearing Designation | | 重量 Mass | | 外形尺寸 Boundary Dimensions | | 基本额定负荷 Basic Load Rating | | 极限转速 Limiting Speed |
|-------------------------|-----------------------------|-----------|------------|------|-----------------------------|--|-----------------------------|---------------|------------------------|
| | | | | | | | 动负荷 Dynamic | 静负荷 Static | |
| | | | TA | TAM | | | Cr(N) | Cor(N) | |
| 8 | TA810 | TAM810 | 6.7 | 7.1 | 8×15×10 | | 350 | 290 | 4500 |
| | TA815 | TAM815 | 9.7 | 10.1 | 8×15×15 | | 590 | 570 | 4500 |
| | TA820 | TAM820 | 12.9 | 8.2 | 8×15×20 | | 850 | 910 | 4500 |
| 9 | TA912 | TAM912 | 8.7 | 9.2 | 9×16×12 | | 520 | 500 | 4500 |
| | TA916 | TAM916 | 11.4 | 11.9 | 9×16×16 | | 710 | 740 | 4500 |
| 10 | TA1010 | TAM1010 | 7.9 | 8.5 | 10×17×10 | | 420 | 390 | 4000 |
| | TA1012 | TAM1012 | 9.3 | 10 | 10×17×12 | | 570 | 570 | 4000 |
| | TA1015 | TAM1015 | 11.5 | 12.2 | 10×17×15 | | 710 | 740 | 4000 |
| | TA1020 | TAM1020 | 15.4 | 16 | 10×17×20 | | 1020 | 1190 | 4000 |
| 12 | TA1212 | TAM1212 | 10.5 | 11.5 | 12×19×12 | | 610 | 640 | 3500 |
| | TA1215 | TAM1215 | 13.1 | 14 | 12×19×15 | | 760 | 850 | 3500 |
| | TA1220 | TAM1220 | 17.3 | 18.3 | 12×19×20 | | 1090 | 1360 | 3500 |
| 14 | TA1225 | TAM1225 | 21.5 | 22.5 | 12×19×25 | | 1400 | 1870 | 3500 |
| | TA1416 | TAM1416 | 18.4 | 19.6 | 14×22×16 | | 1070 | 1230 | 3000 |
| 15 | TA1420 | TAM1420 | 23 | 24 | 14×22×20 | | 1410 | 1760 | 3000 |
| | TA1510 | TAM1510 | 10.8 | 12.3 | 15×22×10 | | 540 | 580 | 2500 |
| 16 | TA1512 | TAM1512 | 12.9 | 14.3 | 15×22×12 | | 730 | 850 | 2500 |
| | TA1515 | TAM1515 | 15.9 | 17.3 | 15×22×15 | | 900 | 1120 | 2500 |
| | TA1520 | TAM1520 | 21 | 22.5 | 15×22×20 | | 1300 | 1790 | 2500 |
| | TA1525 | TAM1525 | 25 | 26.5 | 15×22×25 | | 1660 | 2460 | 2500 |
| 17 | TA1616 | TAM1616 | 20 | 22 | 16×24×16 | | 1130 | 1350 | 2500 |
| | TA1620 | TAM1620 | 20 | 27 | 16×24×20 | | 1490 | 1940 | 2500 |
| 18 | TA1715 | TAM1715 | 17.6 | 19.5 | 17×24×15 | | 980 | 1300 | 2500 |
| | TA1720 | TAM1720 | 23.5 | 25 | 17×24×20 | | 1420 | 2080 | 2500 |
| | TA1725 | TAM1725 | 29 | 31 | 17×24×25 | | 1820 | 2870 | 2500 |
| 19 | TA1813 | TAM1813 | 16.4 | 18.5 | 18×25×13 | | 930 | 1220 | 2000 |
| | TA1815 | TAM1815 | 18.5 | 20.5 | 18×25×15 | | 1020 | 1390 | 2000 |
| | TA1817 | TAM1817 | 21 | 23 | 18×25×17 | | 1210 | 1720 | 2000 |
| | TA1819 | TAM1819 | 23.5 | 25.5 | 18×25×19 | | 1390 | 2060 | 2000 |
| | TA1820 | TAM1820 | 24.5 | 26.5 | 18×25×20 | | 1480 | 2220 | 2000 |
| | TA1825 | TAM1825 | 30.5 | 32.5 | 18×25×25 | | 1900 | 3060 | 2000 |
| 20 | TA1916 | TAM1916 | 23 | 25.5 | 19×27×16 | | 1240 | 1600 | 2000 |
| | TA1920 | TAM1920 | 29 | 31 | 19×27×20 | | 1650 | 2300 | 2000 |
| 21 | TA2015 | TAM2015 | 20 | 22.5 | 20×27×15 | | 1060 | 1490 | 2000 |
| | TA2020 | TAM2020 | 26.5 | 29 | 20×27×20 | | 1530 | 2390 | 2000 |
| | TA2025 | TAM2025 | 33 | 35.5 | 20×27×25 | | 1960 | 3280 | 2000 |
| | TA2030 | TAM2030 | 39.5 | 42 | 20×27×30 | | 2360 | 4180 | 2000 |
| | TA202830 | TAM202830 | 30 | 32.5 | 20×28×20 | | 1720 | 2470 | 2000 |
| 22 | TA2116 | TAM2116 | 25 | 28 | 21×29×16 | | 1350 | 1840 | 1900 |
| | TA2120 | TAM2120 | 31.5 | 34.5 | 21×29×20 | | 1790 | 2640 | 1900 |

| 轴径 Shaft Diameter | 轴承型号 Bearing Designation | | 重量 Mass | | 外形尺寸 Boundary Dimensions | | 基本额定负荷 Basic Load Rating | | 极限转速 Limiting Speed |
|-------------------------|-----------------------------|-----------|------------|------|-----------------------------|--|-----------------------------|---------------|------------------------|
| | | | | | | | 动负荷 Dynamic | 静负荷 Static | |
| | | | TA | TAM | | | Cr(N) | Cor(N) | |
| 22 | TA2210 | TAM2210 | 15 | 18.1 | 22×29×10 | | 680 | 870 | 18000 |
| | TA2215 | TAM2215 | 21.5 | 24.5 | 22×29×15 | | 1330 | 1670 | 18000 |
| | TA2220 | TAM2220 | 29 | 32 | 22×29×20 | | 1630 | 2680 | 18000 |
| | TA2225 | TAM2225 | 35.5 | 38.5 | 22×29×25 | | 2010 | 3500 | 18000 |
| | TA2230 | TAM2230 | 42.5 | 45.5 | 22×29×30 | | 2430 | 4460 | 18000 |
| | TA223016 | TAM223016 | 26 | 29 | 22×30×16 | | 1350 | 1850 | 18000 |
| 24 | TA223020 | TAM223020 | 32.5 | 35.5 | 22×30×20 | | 1790 | 2660 | 18000 |
| | TA2420 | TAM2420 | 31 | 35 | 24×31×20 | | 1730 | 2980 | 16000 |
| | TA2428 | TAM2428 | 43.5 | 47 | 24×31×28 | | 2500 | 4770 | 16000 |
| 25 | TA243216 | TAM243216 | 28 | 32 | 24×32×16 | | 1450 | 2090 | 16000 |
| | TA243220 | TAM243220 | 35.5 | 39 | 24×32×20 | | 1920 | 3000 | 16000 |
| | TA2510 | TAM2510 | 19.1 | 23 | 25×33×10 | | 810 | 1010 | 15000 |
| 26 | TA2515 | TAM2515 | 28.5 | 32.5 | 25×33×15 | | 1370 | 1970 | 15000 |
| | TA2520 | TAM2520 | 36.5 | 40.5 | 25×33×20 | | 1990 | 3170 | 15000 |
| | TA2525 | TAM2525 | 45.5 | 49 | 25×33×25 | | 2450 | 4160 | 15000 |
| | TA2530 | TAM2530 | 54.5 | 58.5 | 25×33×30 | | 2960 | 5300 | 15000 |
| 28 | TA2616 | TAM2616 | 30.5 | 34.5 | 26×34×16 | | 1550 | 2330 | 15000 |
| | TA2620 | TAM2620 | 38 | 42.5 | 26×34×20 | | 2050 | 3350 | 15000 |
| 29 | TA2820 | TAM2820 | 45 | 50 | 28×37×20 | | 2160 | 3290 | 13000 |
| | TA2830 | TAM2830 | 67.5 | 72.5 | 28×37×30 | | 3370 | 3420 | 13000 |
| 30 | TA2920 | TAM2920 | 47 | 52 | 29×38×20 | | 2250 | 3480 | 13000 |
| | TA2930 | TAM2930 | 70 | 75.5 | 29×38×30 | | 2490 | 6140 | 13000 |
| | TA3013 | TAM3013 | 36.5 | 42.5 | 30×40×13 | | 1370 | 1710 | 12000 |
| 32 | TA3015 | TAM3015 | 42 | 47.5 | 30×40×15 | | 1720 | 2280 | 12000 |
| | TA3020 | TAM3020 | 54.5 | 60 | 30×40×20 | | 2500 | 3700 | 12000 |
| | TA3025 | TAM3025 | 68 | 73.5 | 30×40×25 | | 3220 | 5130 | 12000 |
| | TA3030 | TAM3030 | 80 | 85.5 | 30×40×30 | | 3740 | 6190 | 12000 |
| 35 | TA3220 | TAM3220 | 57.5 | 63.5 | 32×42×20 | | 2590 | 3940 | 11000 |
| | TA3230 | TAM3230 | 86 | 97.5 | 32×42×30 | | 4030 | 6970 | 11000 |
| | TA3512 | TAM3512 | 38.5 | 46 | 35×45×12 | | 1510 | 2030 | 10000 |
| 37 | TA3515 | TAM3515 | 48 | 56 | 35×45×15 | | 1890 | 2710 | 10000 |
| | TA3520 | TAM3520 | 62.5 | 70 | 35×45×20 | | 2760 | 4400 | 10000 |
| | TA3525 | TAM3525 | 78 | 85.5 | 35×45×25 | | 3550 | 6090 | 10000 |
| | TA3530 | TAM3530 | 97 | 105 | 35×45×30 | | 4150 | 7410 | 10000 |
| | TA3720 | TAM3720 | 64.5 | 73 | 37×47×20 | | 2830 | 4630 | 9500 |
| 38 | TA3730 | TAM3730 | 101 | 110 | 37×47×30 | | 4270 | 7820 | 9500 |
| | TA3815 | TAM3815 | 51 | 60 | 38×48×15 | | 1930 | 2860 | 9000 |
| | TA3820 | TAM3820 | 65.5 | 74.5 | 38×48×20 | | 2820 | 4640 | 9000 |
| 39 | TA3825 | TAM3825 | 82.5 | 96 | 38×48×25 | | 3630 | 6430 | 9000 |
| | TA3830 | TAM3830 | 104 | 114 | 38×48×30 | | 4400 | 8210 | 9000 |

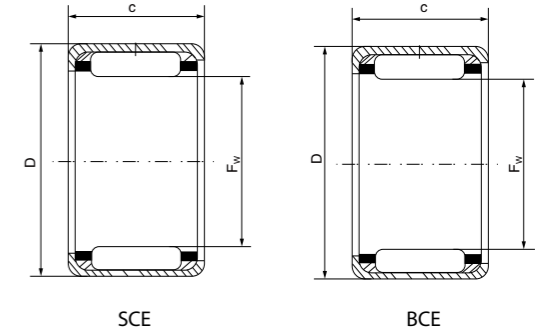
穿孔型冲压外圈滚针轴承
Drawn Cup Caged Needle Roller Bearings
With Open End
TA, TAW系列

封口型冲压外圈滚针轴承
Drawn Cup Caged Needle Roller Bearings
With Closed End
TAM, TAMW系列



穿孔型冲压外圈滚针轴承
Drawn Cup Caged Needle Roller Bearings
With Open End
SCE系列

封口型冲压外圈滚针轴承
Drawn Cup Caged Needle Roller Bearings
With Closed End
BCE系列



| 轴径 Shaft Diameter | 轴承型号 Bearing Designation | | 重量 Mass | | 外形尺寸 Boundary Dimensions | 基本额定负荷 Basic Load Rating | | 极限转速 Limiting Speed |
|-------------------------|-----------------------------|----------|------------|------|-----------------------------|-----------------------------|---------------|---------------------------|
| | | | | | | 动负荷 Dynamic | 静负荷 Static | |
| | TA | TAM | TA | TAM | F _w | Cr(N) | Cor(N) | |
| 38 | TAW3845 | TAMW3845 | 149 | 159 | 38×48×45 | 5680 | 11400 | 9000 |
| 40 | TA4015 | TAM4015 | 54 | 63.5 | 40×50×15 | 1980 | 3000 | 8500 |
| | TA4020 | TAM4020 | 69.5 | 79 | 40×50×20 | 2900 | 4880 | 8500 |
| | TA4025 | TAM4025 | 86.5 | 102 | 40×50×25 | 3730 | 3750 | 8500 |
| | TA4030 | TAM4030 | 110 | 120 | 40×50×30 | 4510 | 8630 | 8500 |
| 45 | TA4040 | TAM4040 | 144 | 154 | 40×50×40 | 5780 | 11800 | 8500 |
| | TA4520 | TAM4520 | 77 | 90 | 45×55×20 | 3120 | 5570 | 7500 |
| | TA4525 | TAM4525 | 102 | 115 | 45×55×25 | 4010 | 7710 | 7500 |
| | TA4530 | TAM4530 | 122 | 135 | 45×55×30 | 4860 | 9850 | 7500 |
| 50 | TA4540 | TAM4540 | 161 | 174 | 45×55×40 | 6250 | 13600 | 7500 |
| | TA5012 | TAM5012 | 62.5 | 78 | 50×62×12 | 1800 | 2450 | 6500 |
| | TA5015 | TAM5015 | 78 | 98.5 | 50×62×15 | 2630 | 3980 | 6500 |
| | TA5020 | TAM5020 | 107 | 123 | 50×62×20 | 3870 | 6530 | 6500 |
| | TA5025 | TAM5025 | 134 | 150 | 50×62×25 | 5000 | 9080 | 6500 |
| | TA5030 | TAM5030 | 161 | 178 | 50×62×30 | 6060 | 11600 | 6500 |
| | TA5040 | TAM5040 | 210 | 230 | 50×62×40 | 7800 | 16100 | 6500 |
| | TAW5045 | TAMW5045 | 230 | 245 | 50×62×45 | 7820 | 16100 | 6500 |
| 55 | TA5520 | TAM5520 | 116 | 136 | 55×67×20 | 4040 | 7100 | 5500 |
| | TA5525 | TAM5525 | 145 | 165 | 55×67×25 | 5220 | 9880 | 5500 |
| | TA5530 | TAM5530 | 175 | 195 | 55×67×30 | 6320 | 12600 | 5500 |
| | TA5540 | TAM5540 | 230 | 250 | 55×67×40 | 8160 | 17500 | 5500 |
| | TAW5545 | TAMW5545 | 250 | 270 | 55×67×45 | 8150 | 17500 | 5500 |
| | TAW5550 | TAMW5550 | 280 | 300 | 55×67×50 | 9330 | 20900 | 5500 |
| 60 | TA6025 | TAM6025 | 158 | 182 | 60×72×25 | 5570 | 11100 | 5000 |
| | TA6030 | TAM6030 | 191 | 215 | 60×72×30 | 6760 | 14200 | 5000 |
| | TA6040 | TAM6040 | 2500 | 275 | 60×72×40 | 8740 | 19700 | 5000 |
| | TAW6045 | TAMW6045 | 270 | 295 | 60×72×45 | 8710 | 19600 | 5000 |
| 62 | TAW6050 | TAMW6050 | 305 | 330 | 60×72×50 | 9970 | 23300 | 5000 |
| | TA6212 | TAM6212 | 78 | 107 | 62×74×12 | 2050 | 3090 | 4500 |
| 65 | TA6525 | TAM6525 | 169 | 197 | 65×77×25 | 5760 | 11900 | 4000 |
| | TA6530 | TAM6530 | 205 | 230 | 65×77×30 | 6980 | 15200 | 4000 |
| | TAW6545 | TAMW6545 | 290 | 315 | 65×77×45 | 9000 | 21100 | 4000 |
| | TAW6550 | TAMW6550 | 330 | 355 | 65×77×50 | 10300 | 25100 | 4000 |
| 70 | TA7025 | TAM7025 | 181 | 215 | 70×82×25 | 5960 | 12700 | 3500 |
| | TA7030 | TAM7030 | 220 | 250 | 70×82×30 | 7230 | 16200 | 3500 |
| | TA7040 | TAM7040 | 290 | 320 | 70×82×40 | 9380 | 22700 | 3500 |
| | TAW7050 | TAMW7050 | 350 | 380 | 70×82×50 | 10700 | 26800 | 3500 |

| 轴承型号 Bearing Designation | 重量 Mass | 外形尺寸 Boundary Dimensions | | | 基本额定负荷 Basic Load Rating | | 极限转速 Limiting Speed | |
|-----------------------------|------------|-----------------------------|------|----------------|-----------------------------|-------|---------------------------|----------------|
| | | SCE | BCE | F _w | D | C | | 动负荷 Dynamic |
| SCE1010 | BCE1010 | 10.8 | 12 | 15.875 | 20.638 | 15.88 | 750 | 1110 |
| SCE1012 | BCE1012 | 12.9 | 14 | 15.875 | 20.638 | 19.05 | 920 | 1430 |
| SCE1014 | BCE1014 | 15.1 | 16.2 | 15.875 | 20.638 | 22.22 | 1090 | 1790 |
| SCE1016 | BCE1016 | 17.3 | 18.4 | 15.875 | 20.638 | 25.4 | 1250 | 2130 |
| SCE116 | BCE116 | 7 | 8.4 | 17.462 | 22.225 | 9.52 | 460 | 610 |
| SCE118 | BCE118 | 9.5 | 10.8 | 17.462 | 22.225 | 12.7 | 630 | 900 |
| SCE1110 | BCE1110 | 11.8 | 13.2 | 17.462 | 22.225 | 15.88 | 840 | 1330 |
| SCE1112 | BCE1112 | 14 | 15.4 | 17.462 | 22.225 | 19.05 | 1040 | 1740 |
| SCE126 | BCE126 | 10 | 11.7 | 19.05 | 25.4 | 9.52 | 510 | 600 |
| SCE128 | BCE128 | 13.5 | 15.2 | 19.05 | 25.4 | 12.7 | 700 | 890 |
| SCE1210 | BCE1210 | 17 | 18.6 | 19.05 | 25.4 | 15.88 | 970 | 1350 |
| SCE1212 | BCE1212 | 20.5 | 22 | 19.05 | 25.4 | 19.05 | 1220 | 1800 |
| SCE1214 | BCE1214 | 23.5 | 25 | 19.05 | 25.4 | 22.22 | 1450 | 2260 |
| SCE1216 | BCE1216 | 27 | 28.5 | 19.05 | 25.4 | 25.4 | 1660 | 2700 |
| SCE136 | BCE136 | 10.7 | 12.6 | 20.638 | 26.988 | 9.52 | 530 | 640 |
| SCE138 | BCE138 | 14.5 | 16.4 | 20.638 | 26.988 | 12.7 | 730 | 960 |
| SCE1310 | BCE1310 | 18.2 | 20 | 20.638 | 26.988 | 15.88 | 1010 | 1450 |
| SCE1312 | BCE1312 | 22 | 23.5 | 20.638 | 26.988 | 19.05 | 1260 | 1940 |
| SCE1314 | BCE1314 | 25 | 27 | 20.638 | 26.988 | 22.22 | 1500 | 2430 |
| SCE1316 | BCE1316 | 28.5 | 30.5 | 20.638 | 26.988 | 25.4 | 1730 | 2910 |
| SCE1320 | BCE1320 | 35.5 | 37.5 | 20.638 | 26.988 | 31.75 | 2160 | 3890 |
| SCE146 | BCE146 | 11.5 | 13.8 | 22.225 | 28.575 | 9.52 | 550 | 690 |
| SCE148 | BCE148 | 15.6 | 17.8 | 22.225 | 28.575 | 12.7 | 760 | 1030 |
| SCE1412 | BCE1412 | 23.5 | 26 | 22.225 | 28.575 | 19.05 | 1310 | 2080 |
| SCE1414 | BCE1414 | 27 | 29.5 | 22.225 | 28.575 | 22.22 | 1560 | 2600 |
| SCE1416 | BCE1416 | 31 | 33.5 | 22.225 | 28.575 | 25.4 | 1790 | 3110 |
| SCE1418 | BCE1418 | 34.5 | 37 | 22.225 | 28.575 | 28.58 | 2020 | 3630 |
| SCE1422 | BCE1422 | 42.5 | 44.5 | 22.225 | 28.575 | 34.92 | 2450 | 4660 |
| SCE158 | BCE158 | 16.5 | 19 | 23.812 | 30.162 | 12.7 | 820 | 1160 |
| SCE1510 | BCE1510 | 20.5 | 23 | 23.812 | 30.162 | 15.88 | 1120 | 1750 |
| SCE1516 | BCE1516 | 33 | 35.5 | 23.812 | 30.162 | 25.4 | 1930 | 3500 |