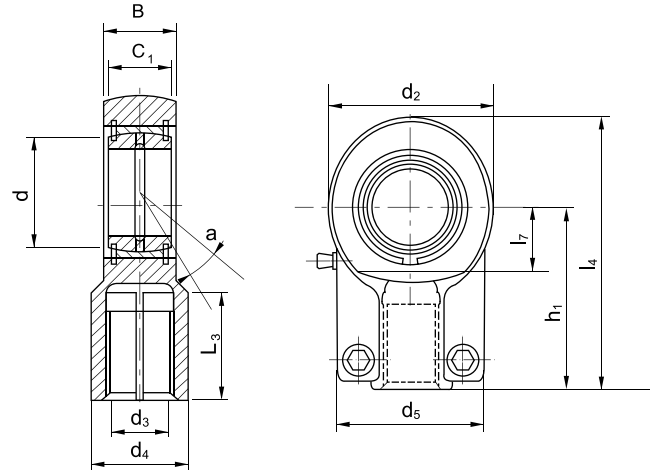
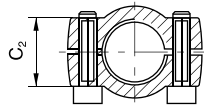


- 軸承附有帶螺紋的伸出杆，螺紋有左、右旋之分。
Bearings with a stretching rod, stretching rod with right or left-hand female thread.
- GIHR...DO是由向心關節軸GE...ES和杆端體組裝而成。
The type GIHR...DO is made up if a spherical plain radial bearing of type GE...ES and body.
- 帶有潤滑油孔或油杯。
The housing with a lubrication hole or a grease nipple.



型號 Designation	尺寸 Dimensions (mm)												負荷 Load ratings		重量 kg Weight
	d	B	C1	d3 6g	d4	L1 min	d2	L4	h1	L7 min	C2	d5	动 dyn.c	静 stat.c ₀	
GIHN-K 12 LO*	12	12	11	M12×1.25	16.5	17	32	54	38	14	11	32	10.8	24.5	0.10
GIHN-K 16 LO	16	16	14	M14×1.5	21	19	40	64	44	18	14	40	17.6	36.5	0.20
GIHN-K 20 LO	20	20	17	M16×1.5	25	23	47	77	52	22	17	47	30.0	48.0	0.40
GIHN-K 25 LO	25	25	22	M20×1.5	30	29	58	96	65	27	19	54	48.0	78.0	0.66
GIHN-K 32 LO	32	32	28	M27×2.0	38	37	71	118.5	80	32	22	66	67.0	114	1.20
GIHN-K 40 LO	40	40	33	M33×2.0	47	46	90	146	97	41	26	80	100	204	2.10
GIHN-K 50 LO	50	50	41	M42×2.0	58	57	109	179.5	120	50	32	96	156	310	4.40
GIHN-K 63 LO	63	63	53	M48×2.0	70	64	136	213	140	62	38	114	255	430	7.60
GIHN-K 70 LO	70	70	57	M56×2.0	80	76	155	245	160	70	42	135	315	540	9.5
GIHN-K 80 LO	80	80	66	M64×3.0	90	86	168	270	180	78	48	148	400	695	14.5
GIHN-K 90 LO	90	90	72	M72×3.0	100	91	185	296	195	85	52	160	490	750	17.0
GIHN-K 100 LO	100	100	84	M80×3.0	110	96	210	322	210	98	62	178	610	1060	28.0
GIHN-K 110 LO	110	110	88	M90×3.0	125	106	235	364	235	105	62	190	655	1200	32.0
GIHN-K 125 LO	125	125	102	M100×3.0	135	113	260	405	260	120	72	200	950	1430	43.0

若是左旋螺紋，軸承型號需加“L”，例如：GIHN-KL 12 LO。
For left-hand thread, please add suffix "L", e.g. GIHN-K 12 LO.