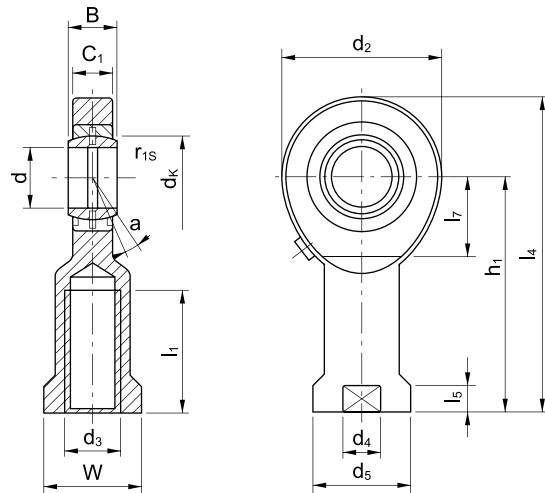


- 軸承附有帶螺紋的伸出杆，螺紋有左、右旋之分。
Bearings with a stretching rod, stretching rod with right or left-hand female thread.
- 由向心關節軸承GE...E或GE...ES和杆端體組裝而成。
It is made up if a spherical plain radial bearing of type GE...E or GE...ES and body.
- 杆端體表面鍍鋅，有潤滑油孔或油杯。
To plate zinc on the surface of rod body, the housing with a lubrication hole or a grease nipple.



軸承型號 Bearings number	尺寸 Dimensions (mm)														負荷KN Load ratings		重量 Weight (kg)
	d	d ₃	B	C ₁ max	l ₃ max	W	d ₂ max	h ₁	l ₄ max	l ₅ max	d ₄ max	d ₅ max	d _k	a° ≈	動 C	靜 C ₀	
SI 6E	6	M6×1.0	6	4.4	11	11	21	30	40.5	5	10	13	10	13	3.40	8.15	0.021
SI 8E	8	M8×1.25	8	6	15	14	24	36	48	5	12.5	16	13	15	5.50	12.9	0.039
SI 10E	10	M10×1.5	9	7	20	17	29	43	47.5	6.5	15	19	16	12	8.15	17.6	0.061
SI 12E	12	M12×1.75	10	8	23	19	34	50	67	6.5	17.5	22	18	11	10.8	24.5	0.096
SI 15ES	15	M14×2.0	12	10	30	22	40	61	81	8	21	26	22	8	17.0	36.0	0.18
SI 17ES	17	M16×2.0	14	11	34	27	46	67	90	10	24	30	25	10	21.2	45.0	0.22
SI 20ES	20	M20×1.5	16	13	40	32	53	77	103.5	10	27.5	35	29	9	30.0	60.0	0.35
SI 25ES	25	M24×2.0	20	17	48	36	64	94	126	12	33.5	42	35.5	7	48.0	83.0	0.64
SI 30ES	30	M30×2.0	22	19	56	41	73	110	146.5	15	40	50	40.7	6	62.0	110	0.93
SI 35ES	35	M36×3.0	25	21	60	50	82	125	166	15	47	58	47	6	80.0	146	1.3
SI 40ES	40	M39×3.0	28	23	65	55	92	142	188	18	52	65	53	7	100	180	2.0
SI 45ES	45	M42×3.0	32	27	65	60	102	145	196	20	58	70	60	7	127	240	2.5
SI 50ES	50	M45×3.0	35	30	68	65	112	160	216	20	62	75	66	6	156	290	3.5
SI 60ES	60	M52×3.0	44	38	70	75	135	175	242.5	20	70	88	80	6	245	450	3.3
SI 70ES	70	M56×3.0	49	42	80	85	160	200	280	20	80	98	92	6	315	610	8.6
SI 80ES	80	M64×4.0	55	47	85	100	180	230	320	25	95	110	105	6	400	750	12.0

若是左旋螺紋，軸承型號和螺紋標記需加“L”和“左”，例如：SAL30ES M30×2左-6g，d≥15也可製造成的-2RS結構，如SA25ES-2RS
For left-hand thread, suffix is added to bearings number and thread sign, e.g. SAL30ES M30×2左-6g, while d≥15 it is also made up of a spherical plain bearing with two seals and rod body, e.g. SA25ES-2RS